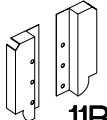
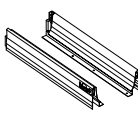
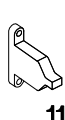
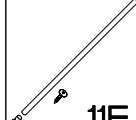



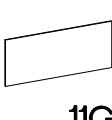
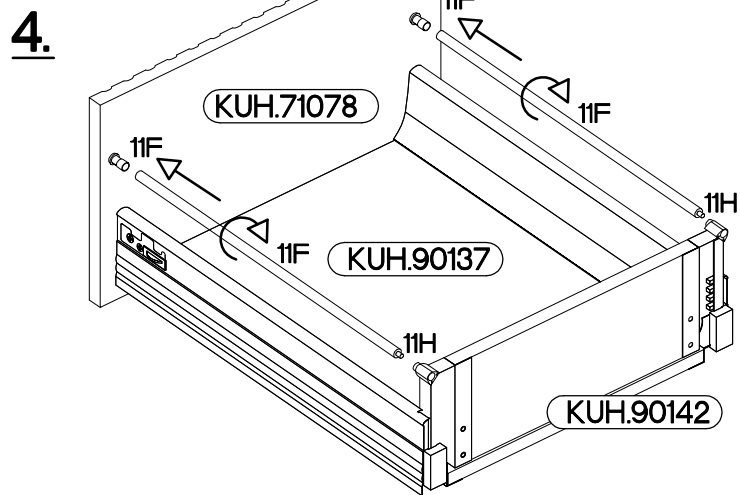
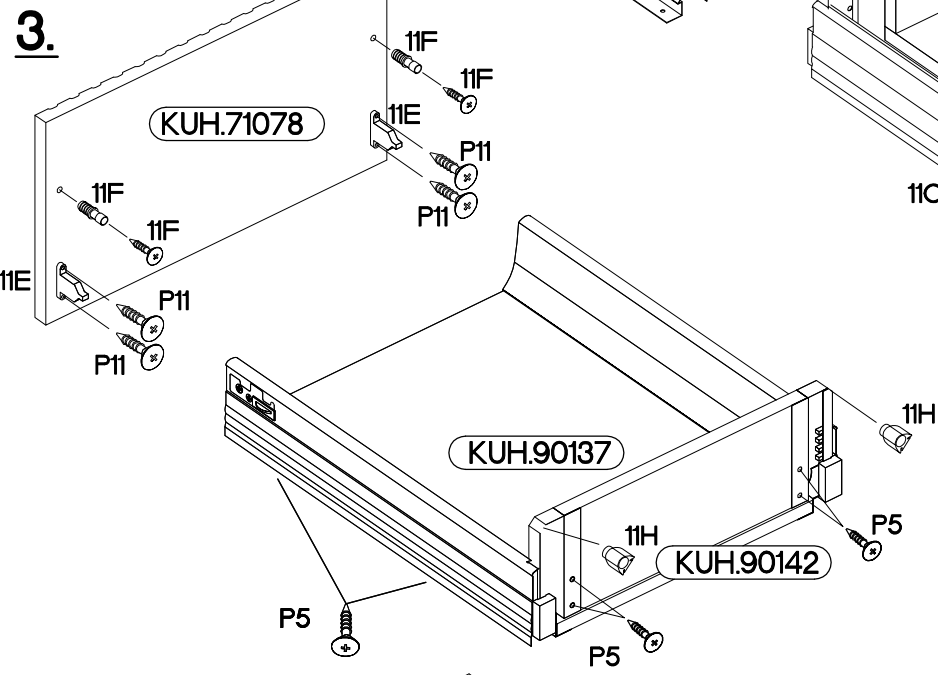
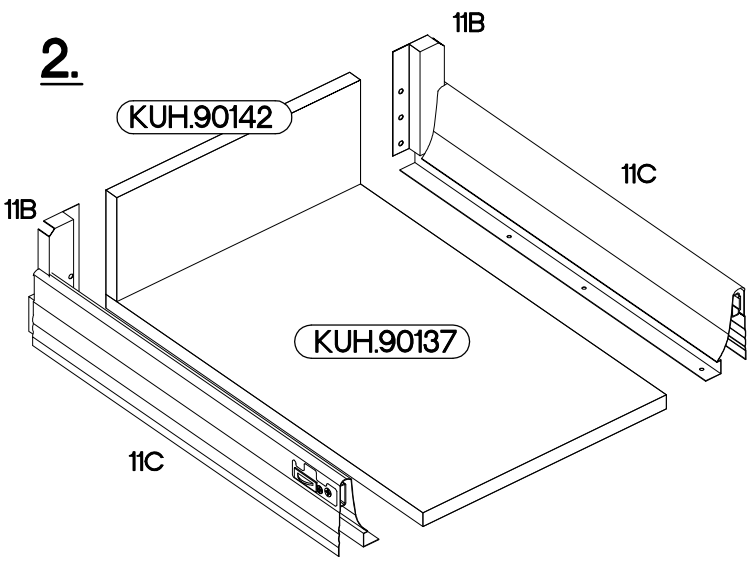
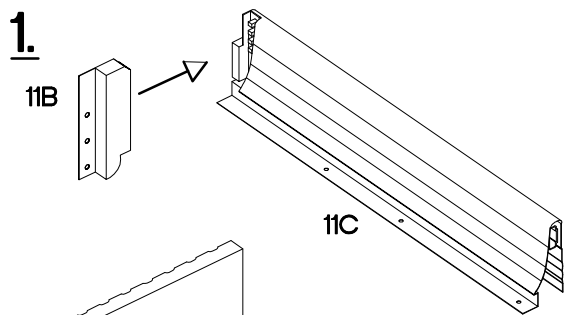


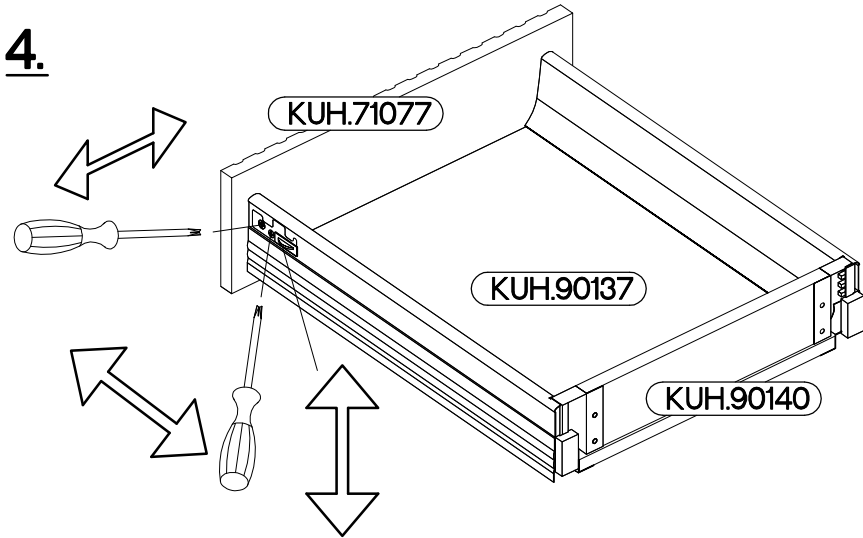
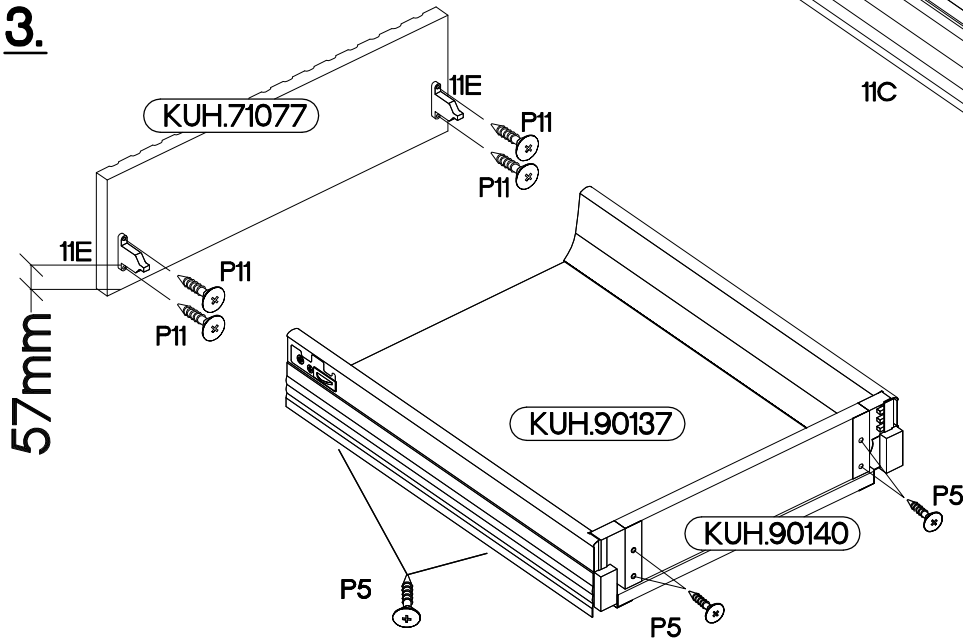
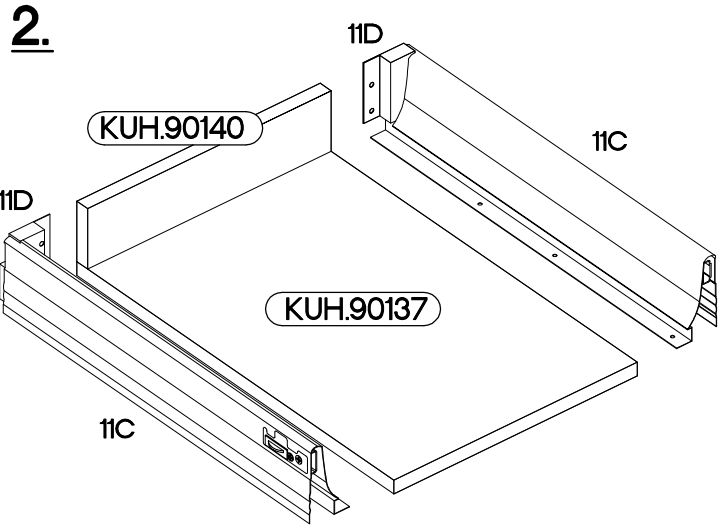
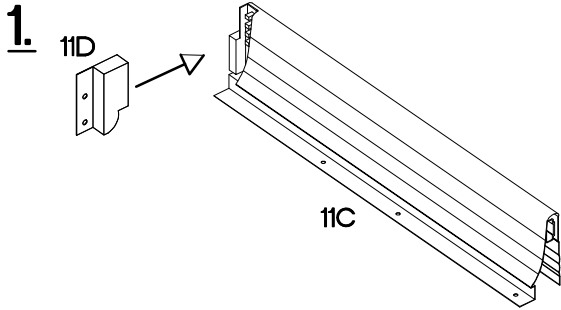
1

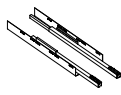


 11B	 11C	 11E	 11F	 11H	 P11	 P5	 11G
2	2	4	4	4	8	16	4

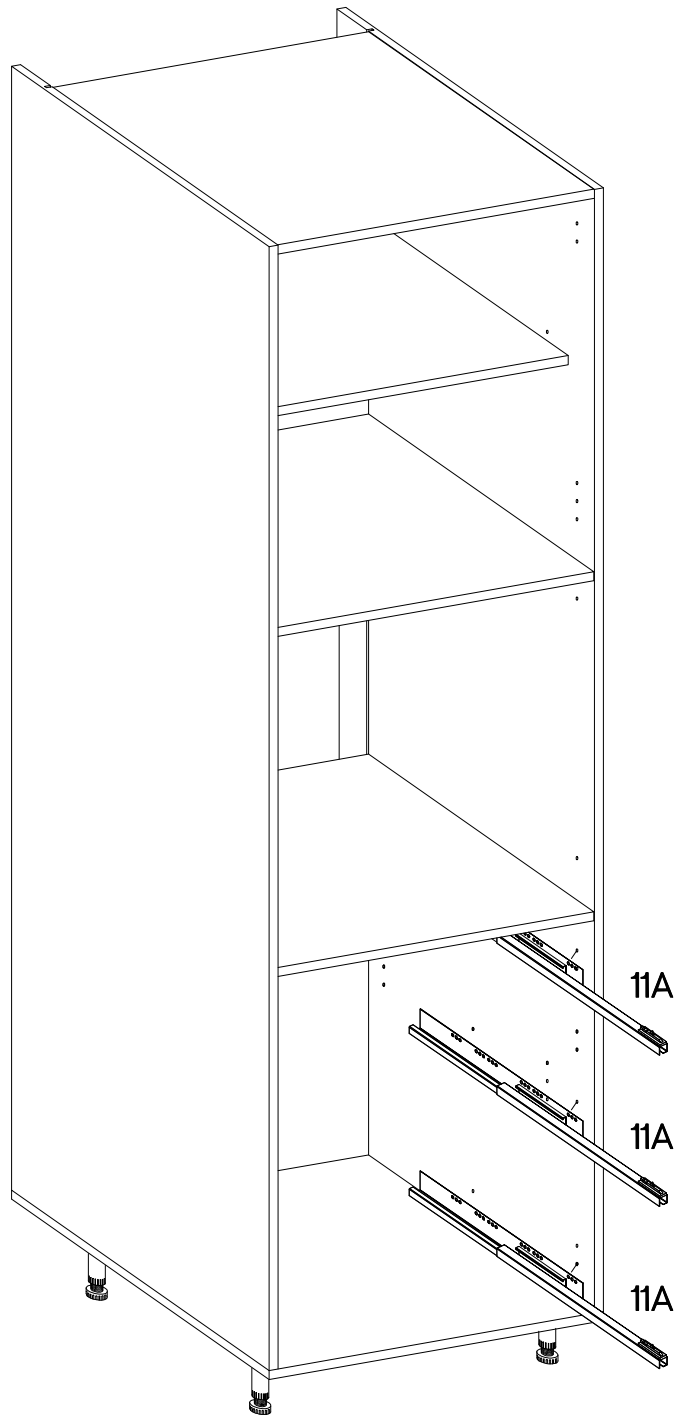
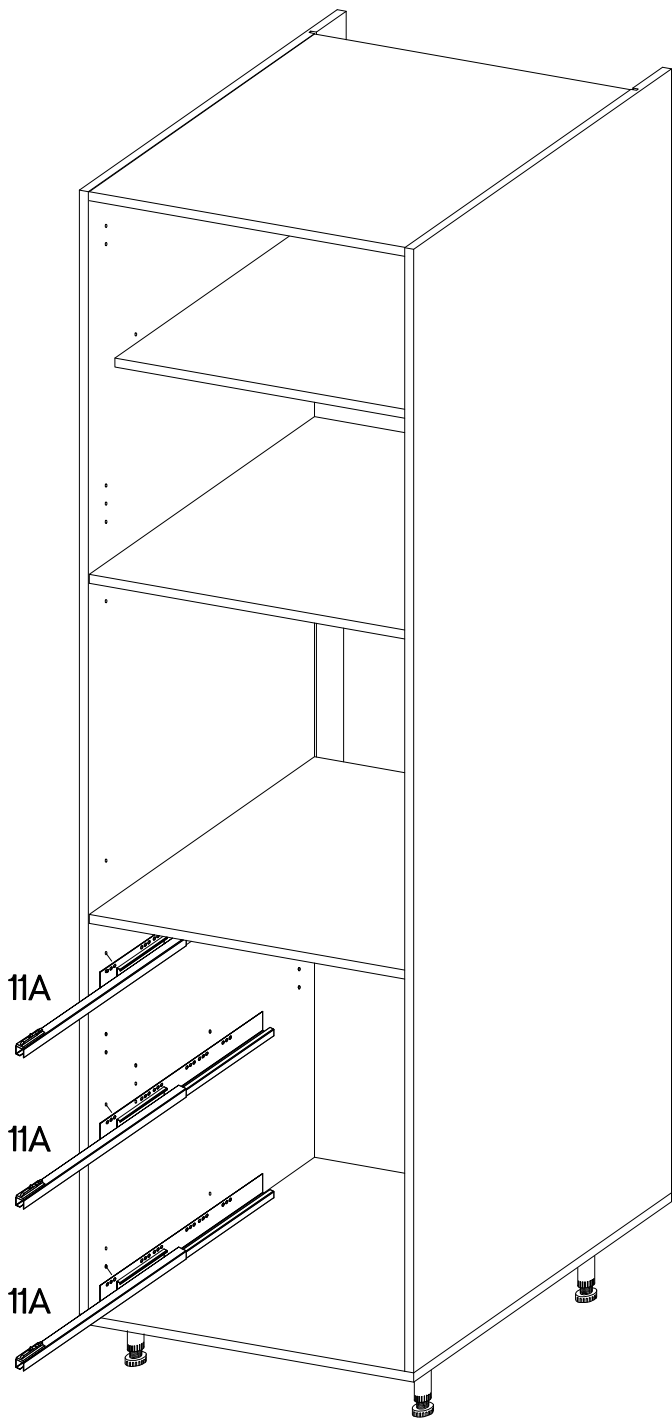
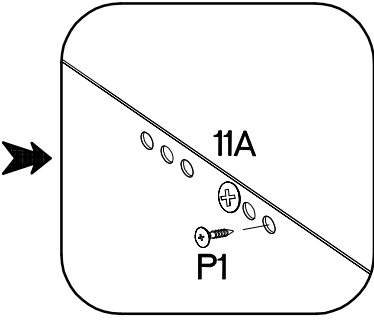
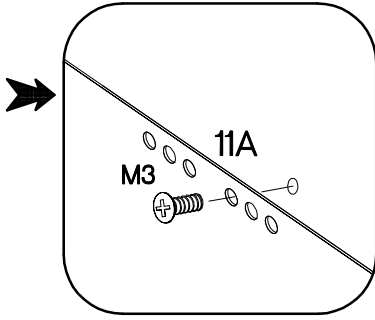
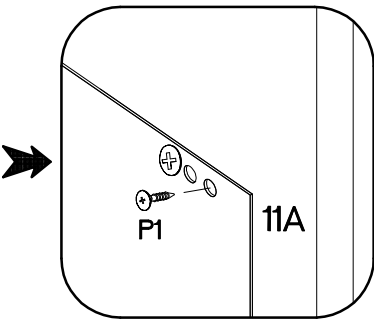
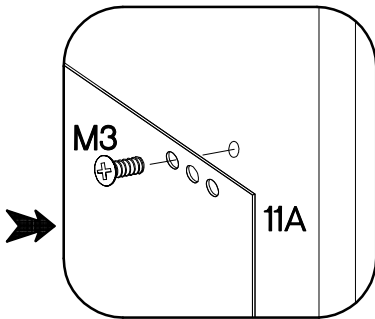
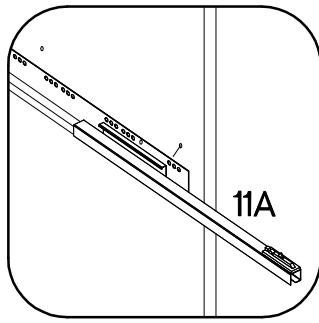


x2

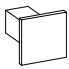

			$\pm 3.0 \times 16 \text{mm}$ 	$\pm 3.5 \times 13 \text{mm}$ 	
11D	11C	11E	P11	P5	11G
1	1	2	4	8	2

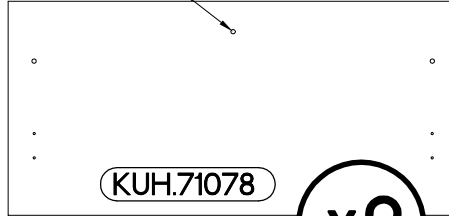
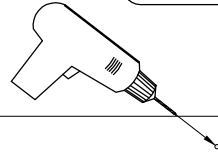
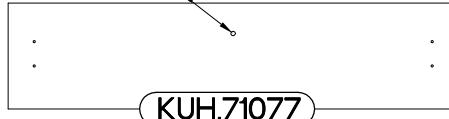
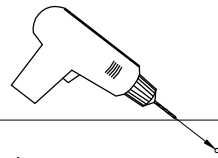


		
11A	M3	P1
3	12	12

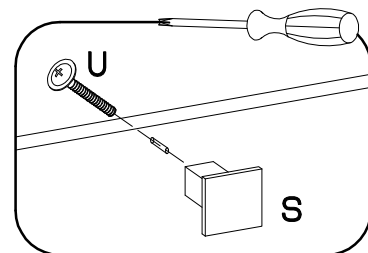
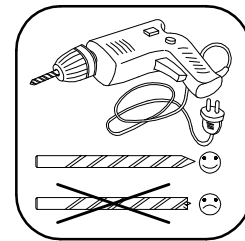
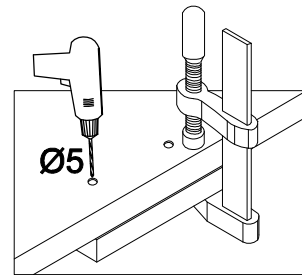
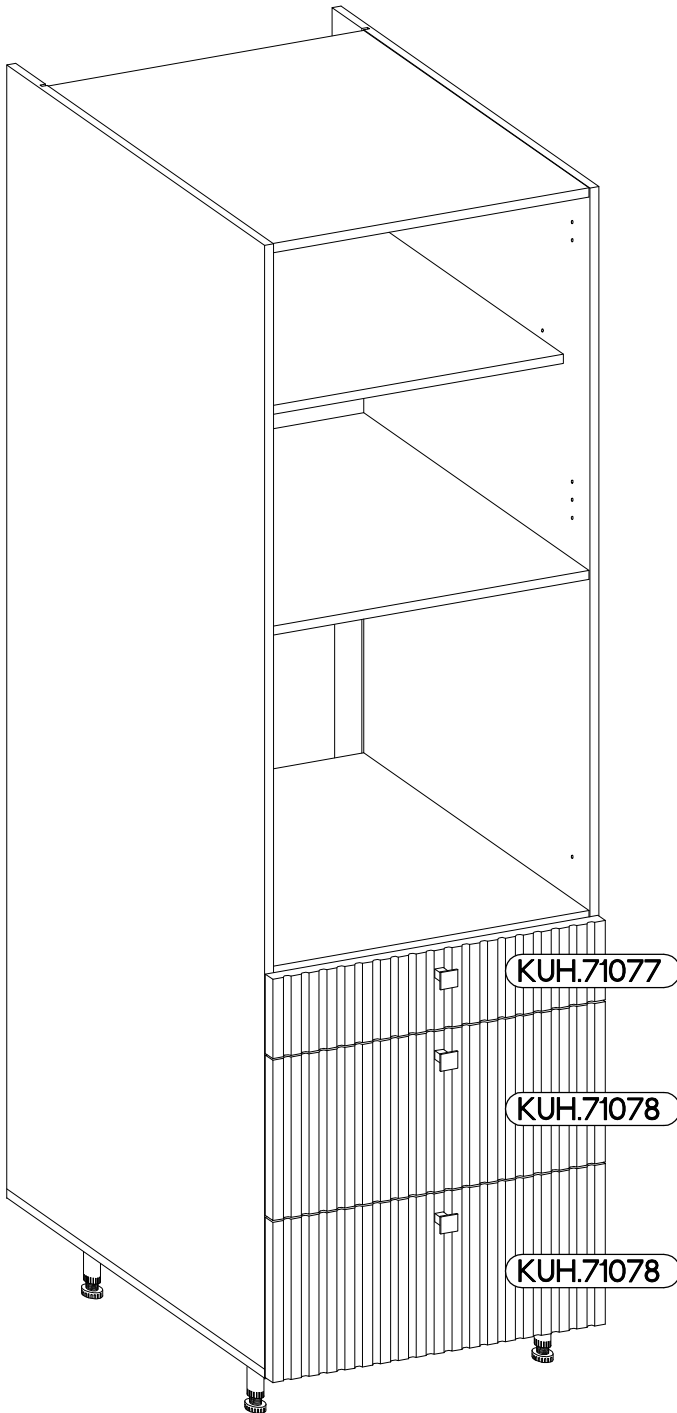


4

30x30mm	M4x22mm
	
S	U
3	3



x2

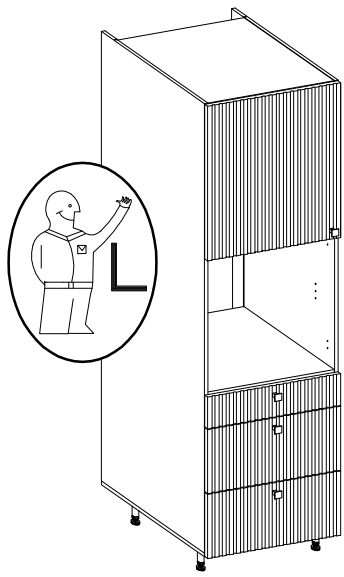


KUH.71077

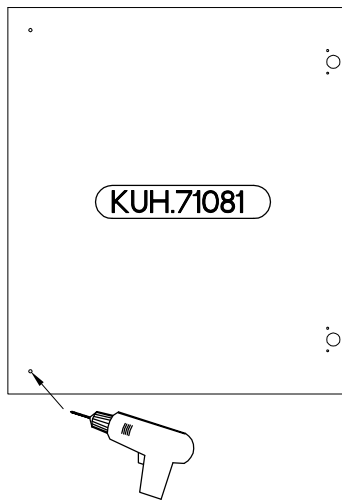
KUH.71078

KUH.71078

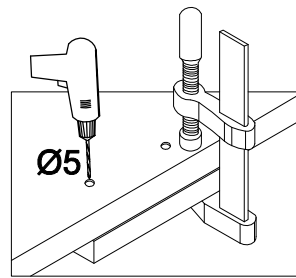
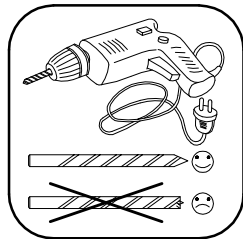
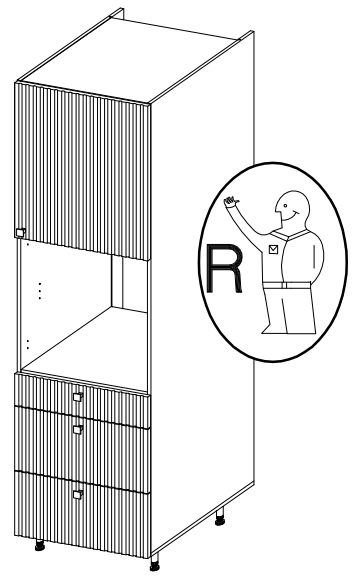
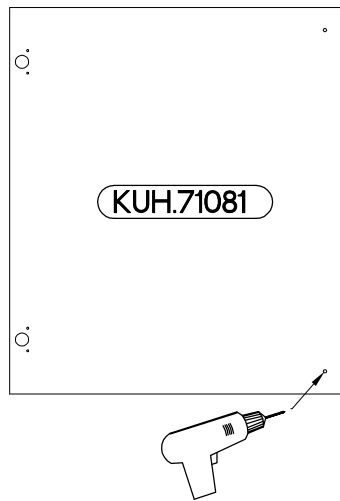
5



LEFT

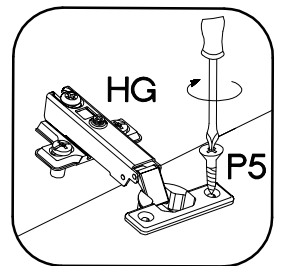
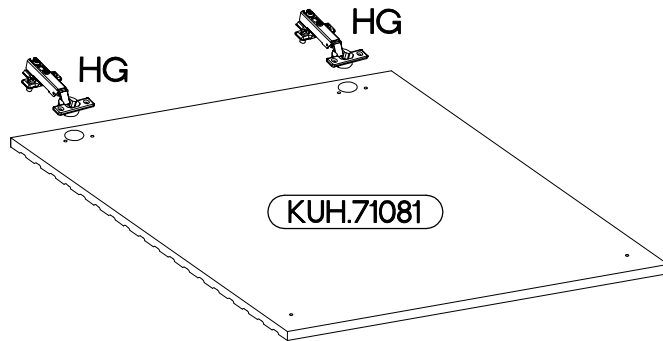


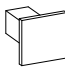

RIGHT

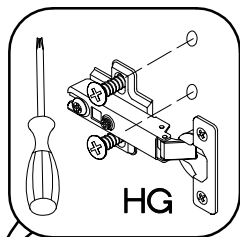


6

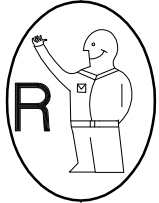
±35/0mm	±3.5x13mm
[CD] HG	P5
2	4



30x30mm	M4x22mm
	
S	U
1	1



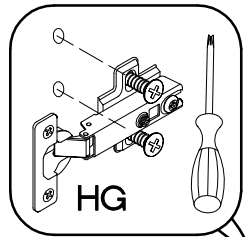
KUH.71081



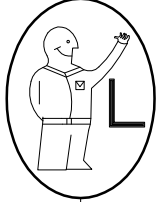
KUH.71077

KUH.71078

KUH.71078



KUH.71081



KUH.71077

KUH.71078

KUH.71078

